



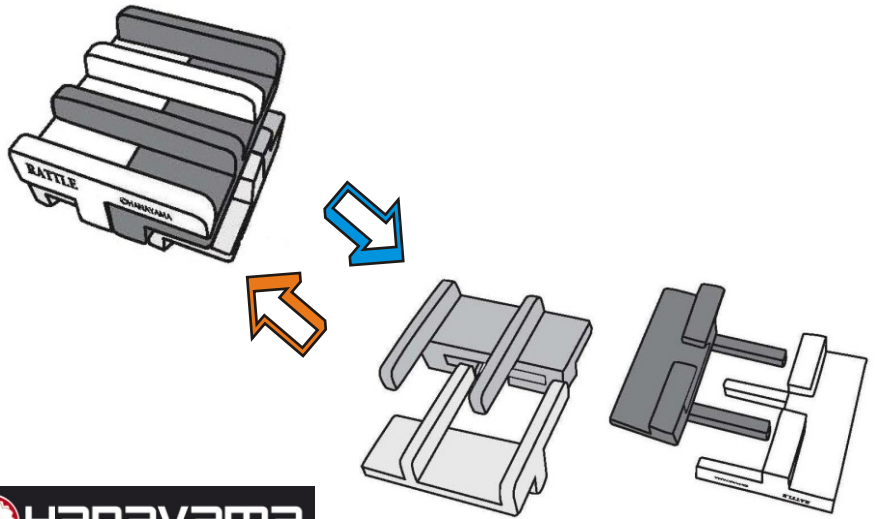
Rattle *****

Japan 2010

All design and copyrights reserved

Exclusive European distribution
by Eureka bvba - 2800 Mechelen,
Belgium

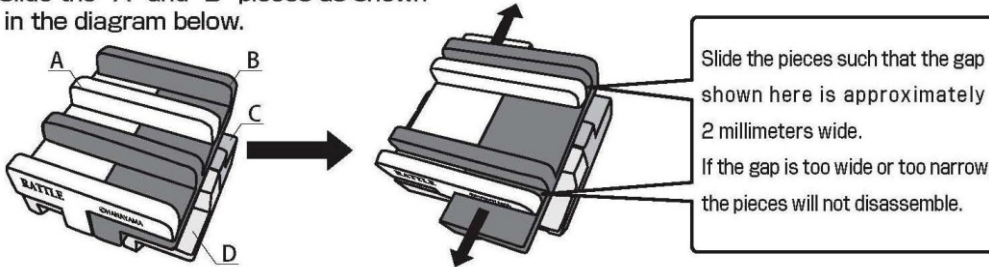
TM



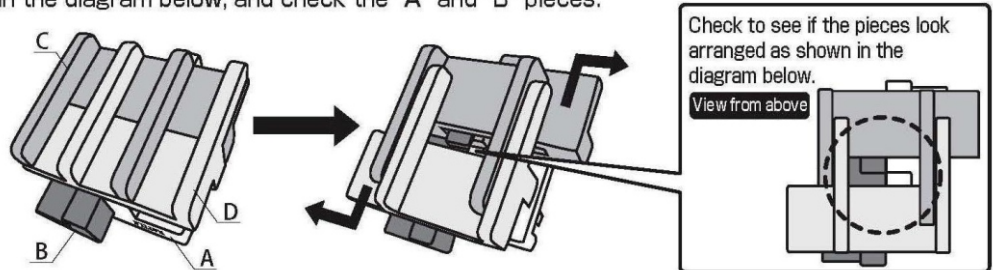
Design: Bram Cohen (US)

※All of the pieces have the same shape.

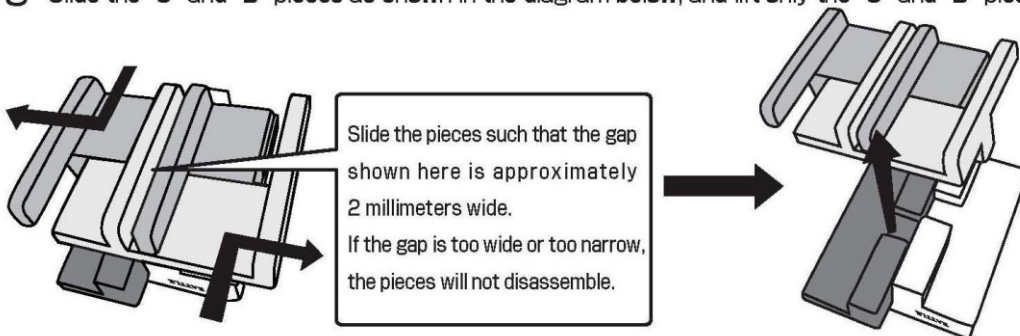
1 Slide the "A" and "B" pieces as shown in the diagram below.



2 Flip the puzzle over and slide the "C" and "D" pieces as shown in the diagram below, and check the "A" and "B" pieces.



3 Slide the "C" and "D" pieces as shown in the diagram below, and lift only the "C" and "D" pieces.



4 The puzzle is disassembled.

