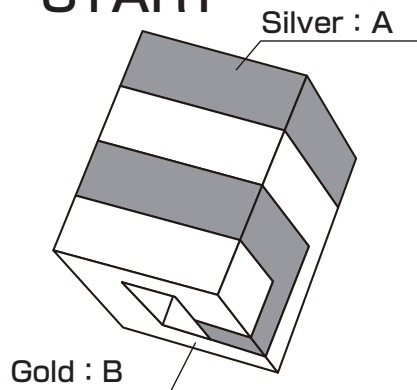


■ Silver : A

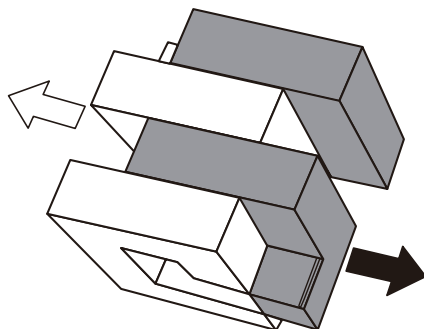
□ Gold : B

\*Slide only the "A" and keep the "B" in this solution.

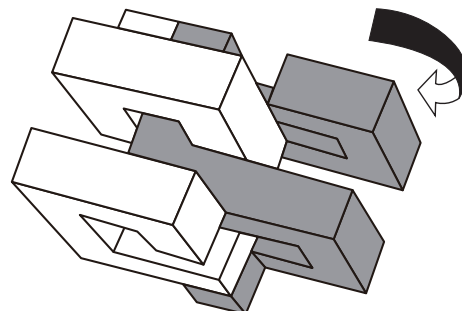
### START



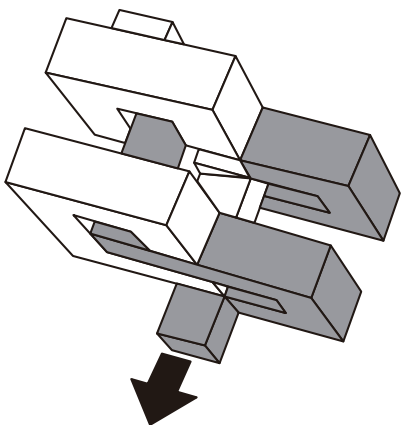
1 Slide the "A" and "B" as shown in the diagram below.



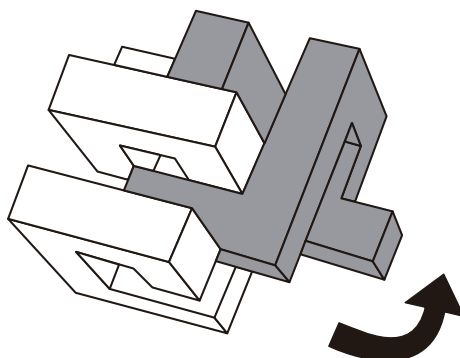
2 Rotate "A" 90° to the right.



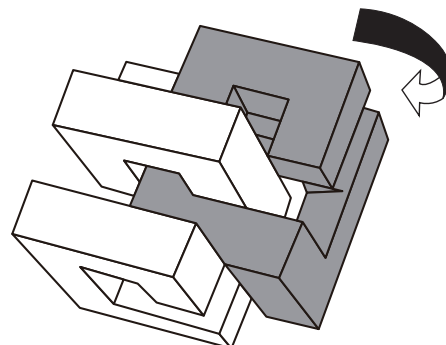
3 Slide "A" to downwards.



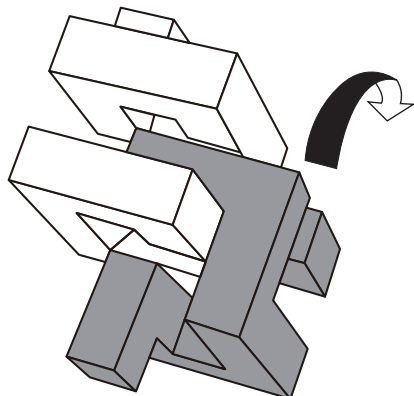
4 Rotate "A" 90° to upwards.



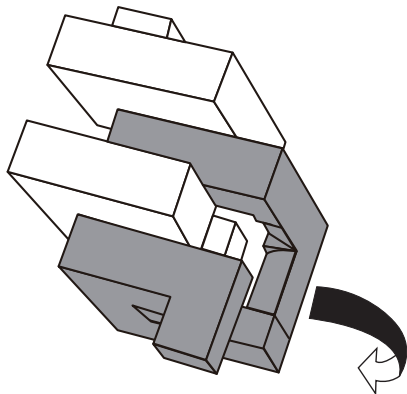
5 Rotate "A" 90° to right.



6 Rotate "A" 90 to downwards.



7 Rotate "A" 90° to right.



8 Slide "A" to upwards to separate the pieces.

